

Increase your existing DTXD vehicle wheel width

DURA TRANS XD

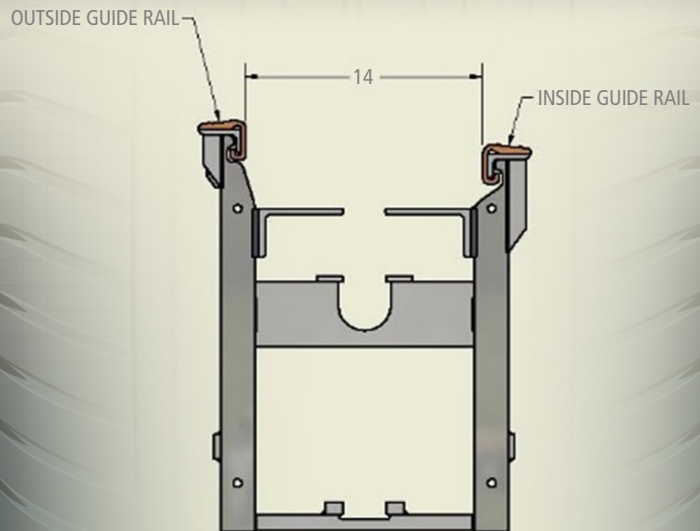


Guide Rail Retrofit

Stop turning away customers with today's wider performance or sport wheels. Update your existing DuraTrans conveyor with the new guide rail retrofit kit. Now you can accommodate wider wheels on your existing DuraTrans XD conveyor and wash more cars with the DTXD guide rail retrofit kit

- Straighter profile for 14" vehicle wheel clearance
- Designed specifically for the DTXD guide rail
- Simple retrofit kit fits existing DuraTrans guide rail seamlessly
- Part #112440 DTXD Guide Rail

For more information contact your
Business Development Manager or
your local Belanger distributor



BELANGER 

OPW 
VEHICLE WASH
SOLUTIONS
a **DOVER** company